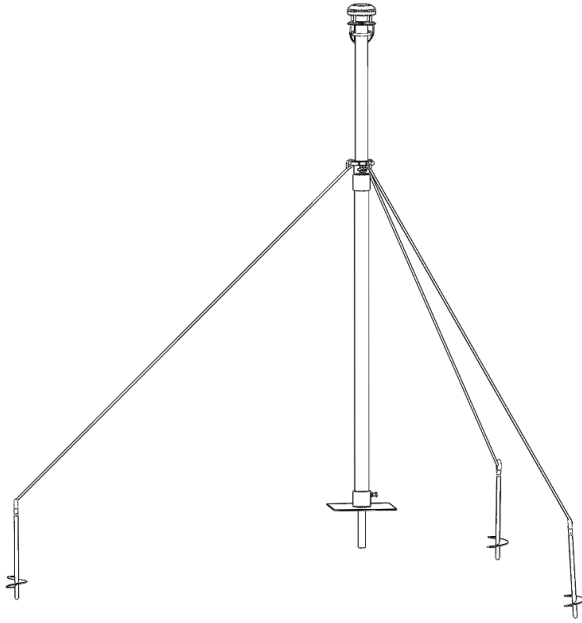


Anemometer Mast

Installation Instructions and Recommendations:
DECAGON.COM/SONICMAST

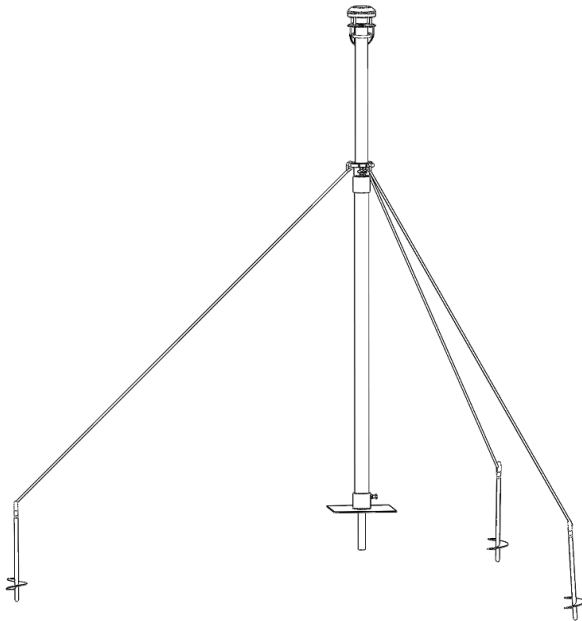


QTY	PART	NUMBER
1	Extendable Mast	30220
1	Guy Rope Ring	14141
25 ^{FT}	Guy Rope	14142
3	12 ^{IN} Guy Rope Anchor	14289
1	Mast Base Plate w/ Center Peg & Set Screw	14290



Anemometer Mast

Installation Instructions and Recommendations:
DECAGON.COM/SONICMAST



QTY	PART	NUMBER
1	Extendable Mast	30220
1	Guy Rope Ring	14141
25 ^{FT}	Guy Rope	14142
3	12 ^{IN} Guy Rope Anchor	14289
1	Mast Base Plate w/ Center Peg & Set Screw	14290

